

ELECTRICAL SPECIFICATIONS @ 25°C unless otherwise noted:

INDUCTANCE: 350uH min., 100kHz, 100mV, 8mADC, J1-J2, J3-J6, Lp.

DIELECTRIC RATING: 1500Vrms for 1 minute between P1-J1(ie P1+P3).

TURNS RATIO/POLARITY: (P1-P3):(J1-J2) = 1:1, ±2%
(P4-P6):(J3-J6) = 1:1, ±2%.

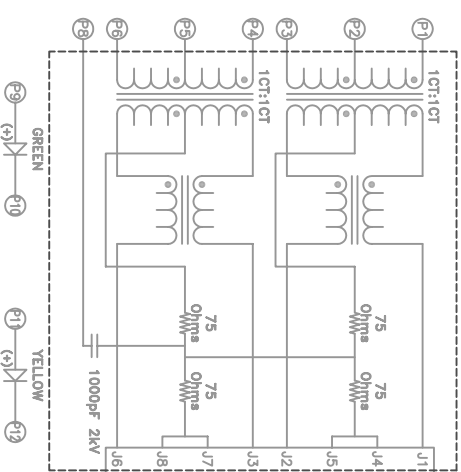
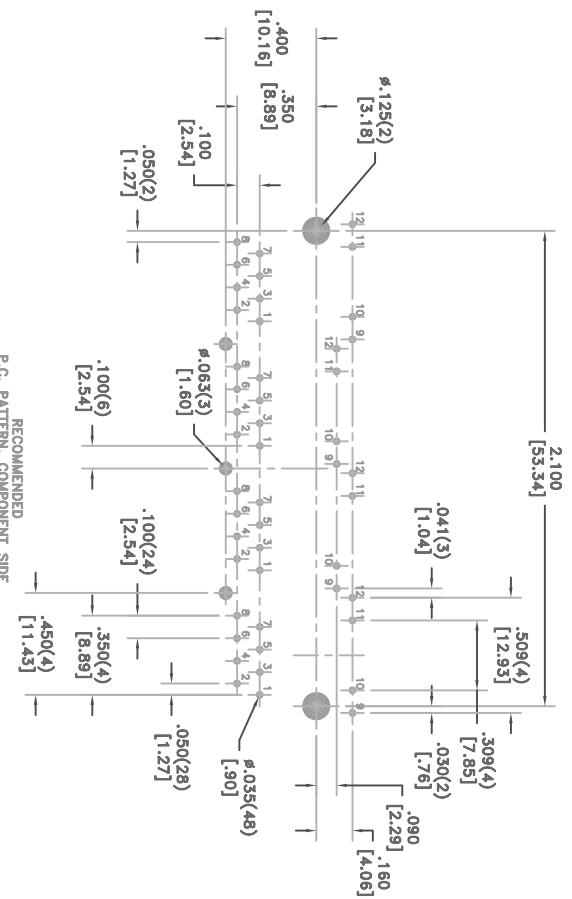
INSERTION LOSS: -1.0dB max, 1MHz - 100MHz.

RETURN LOSS: -18dB min, 1M - 30MHz.
-16dB min, 30M - 45MHz.
-14dB min, 45M - 60MHz.
-12dB min, 60M - 80MHz.

CROSSTALK: -35dB min, 1MHz - 100MHz.

COMMON MODE REJECTION: -35dB min, 1MHz - 100MHz.

OPERATING TEMPERATURE RANGE: 0°C to +70°C.



Midcom, Inc.
Watertown, SD USA
Toll Free: 800-643-2661
Fax: 605-886-4486

Unless otherwise specified:
Tolerances: Fractions: ±1/64
Angles: ±1° Decimals: ±.010 [25]
This drawing is dual dimensional. Dimensions in brackets are in millimeters.

DRAWING TITLE
TRANSFORMER
749 903 121 1

Midcom

DRAWING NO. MIC24713-0101W-LF3
SCALE ---
SHEET 2 OF 6

AGENCY NUMBER
UL 60950-1 E205930

REV. 6A 7/06